

Micro-KRAFT III - supervising and control of ESP´s



Micro-KRAFT is especially designed and developed for optimised control of power supplies for ESPs.

User friendly

The Micro-KRAFT is a user-friendly microprocessor controller, designed to control the high voltage power supply for ESPs. Totally menu controlled, with logical handling. All operations are governed by a few push buttons.

Available in many languages

Micro-KRAFT controller provides presentation at display in most of existing languages in the world (worldwide). Language can be chosen by operator in an easy way.

Software and bus communication

Physical bus interface is RS 485 and software protocols are ModBus RTU and ASCII. Communication via software Profibus DP can be provided as option.

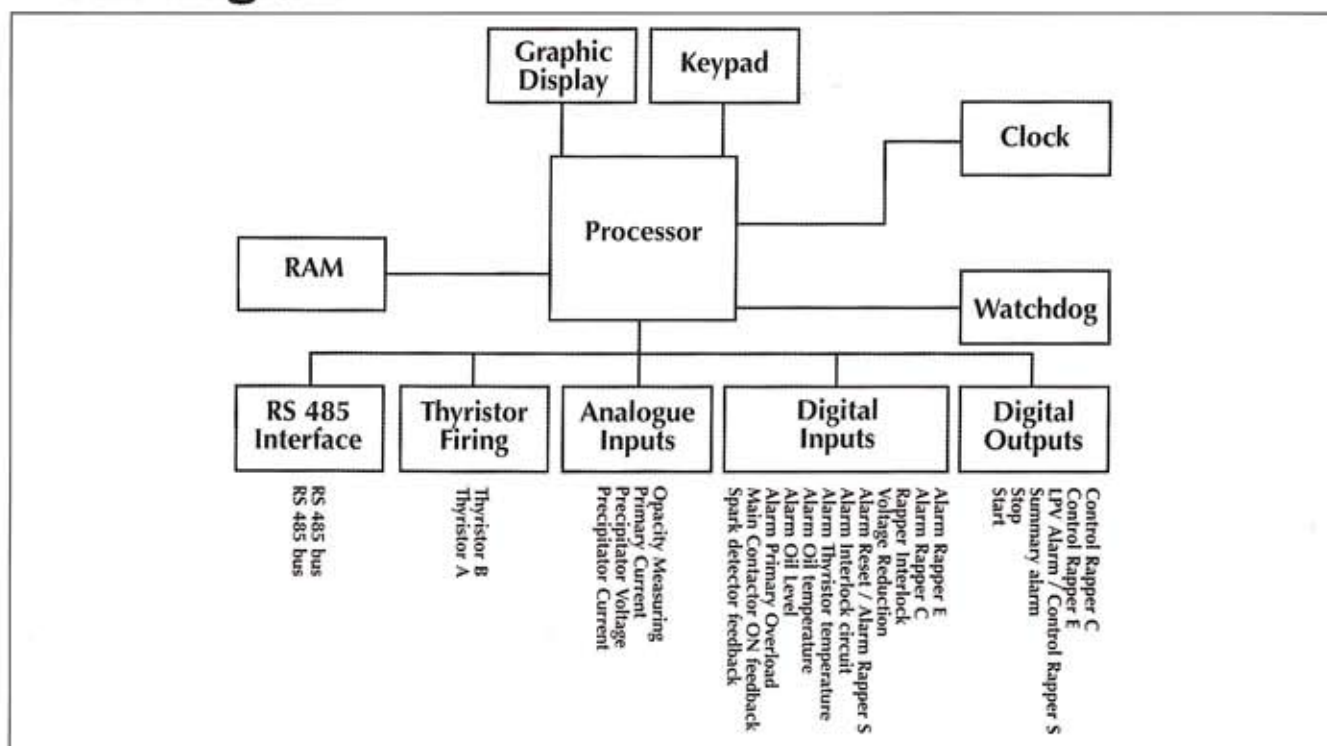
Micro-KRAFT main features

- **Semipulse duty**
- **Four individual programs** for different flue gases (fules)
- **Basic energisation** mode by voltage or current control
- **De-ionisation** to re-establish proper gas conditions when sparks have occurred
- **Back corona control**, manual or automatic, to maintain best efficiency
- **Voltage reduction**, adjustable, can be initiated via external closing contact
- **Automatic saving** of information and settings in EEPROM
- **Display** presentation of primary and secondary voltage/current characteristic
- **Alarms** as per block diagram below

Option

Control up to three rapper motors per each Micro-KRAFT controller. Blocker between controllers to avoid simultaneous rapping.

Block diagram



Technical data

Power supply	24 V AC \pm 10%	Communication bus	RS485
Display	240 x 64 dot.matrix LCD	Ambient temperature	+5 to +60°C
Connector	64 poles Oin Header to DIN 41651	Dimensions (W x H x D)	315 x 205 x 45 (l x w x d)
Inputs	5 analogue	Weight	3 kg
	12 digital	Degree of protection	IP 54 at the front
Outputs	8 digital	Panel cut out (W x H)	256 x 176 mm